

Broil King®

ASSEMBLY MANUAL & PARTS LIST - MANUEL DE MONTAGE & LISTE DE PIÉCES - MANUAL DE ARMADO Y LISTA DE PARTES



Broil King

REGAL 420
9562-14
9562-17



Broil King

REGAL 490
9562-44
9562-47



Broil King

REGAL 420 PRO
9563-14
9563-17
9563-14G
9563-17G



Broil King

REGAL 440 PRO
9563-24
9563-27



Broil King

REGAL 490 PRO
9563-44
9563-47
9563-44MC
9563-47MC

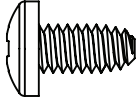


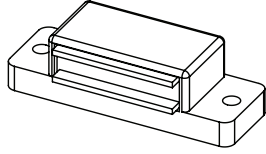
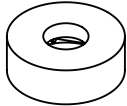
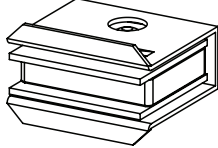
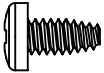
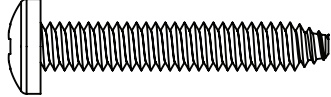
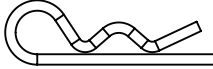
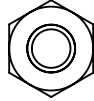
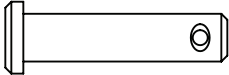
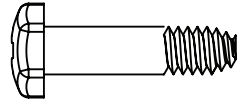
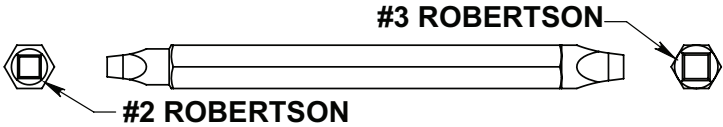
RETAIN FOR FUTURE REFERENCE - VEUILLEZ CONSERVER POUR REFERENCE ULTERIEURE - CONSERVER PARA FUTURAS CONSULTAS

Onward
MANUFACTURING COMPANY LIMITED
SINCE 1906
585 KUMPF DRIVE
WATERLOO, ONTARIO, CANADA
N2V 1K3

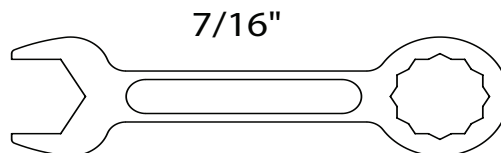
info@omcbbq.com
1-800-265-2150

20084-E77 REV M 07/17

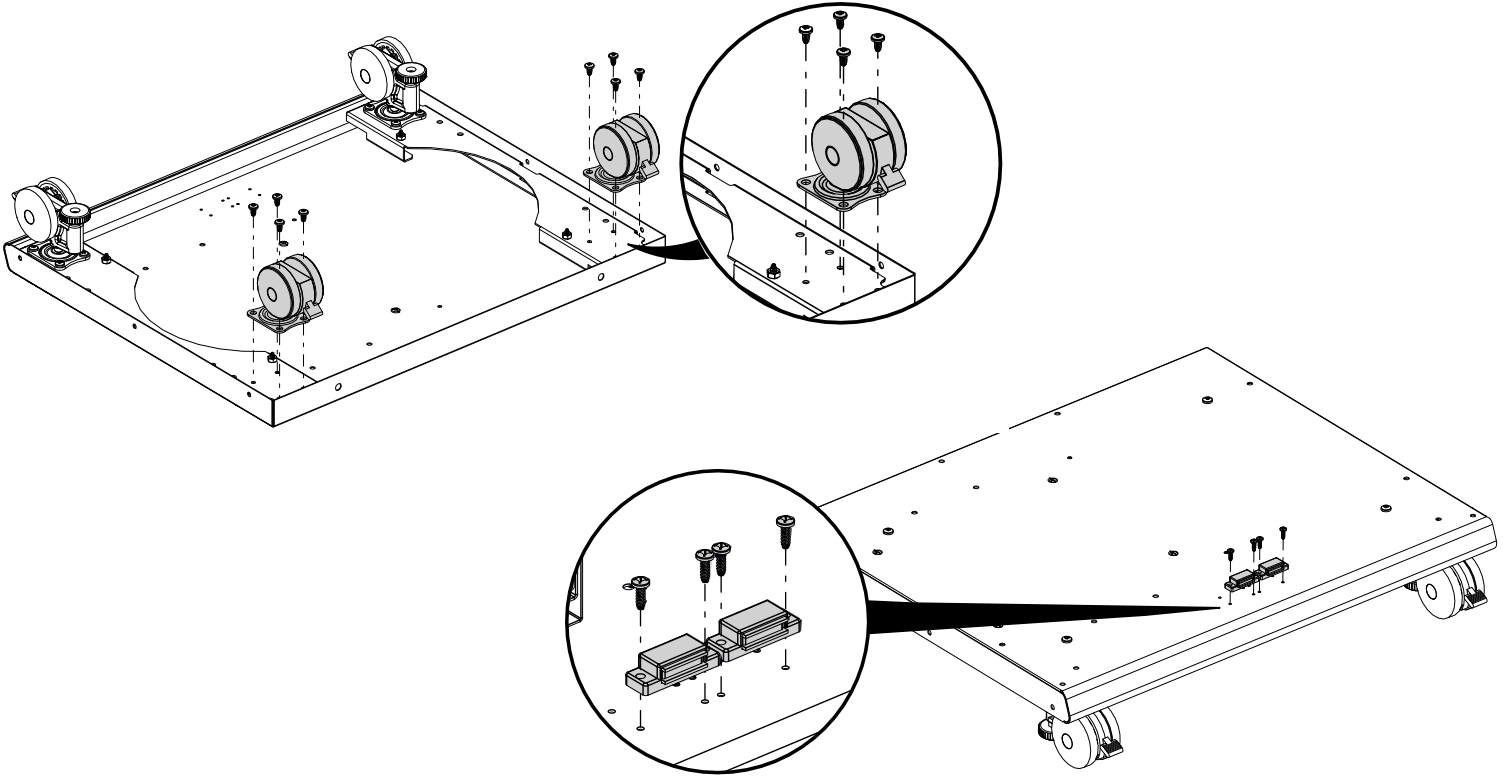
HARDWARE INCLUDED / MATERIAL INCLUS / EQUIPOS INCLUIDO

Y-12865		X26	S21124		X8
S21125		X4	Y-12222		X2
Y-12124		X2	Y-12223		X2
Y-29304		X6	Y-11560		X4
S21233		X2	Y-11793		X4
S21235		X2	Y-11551		X2
					

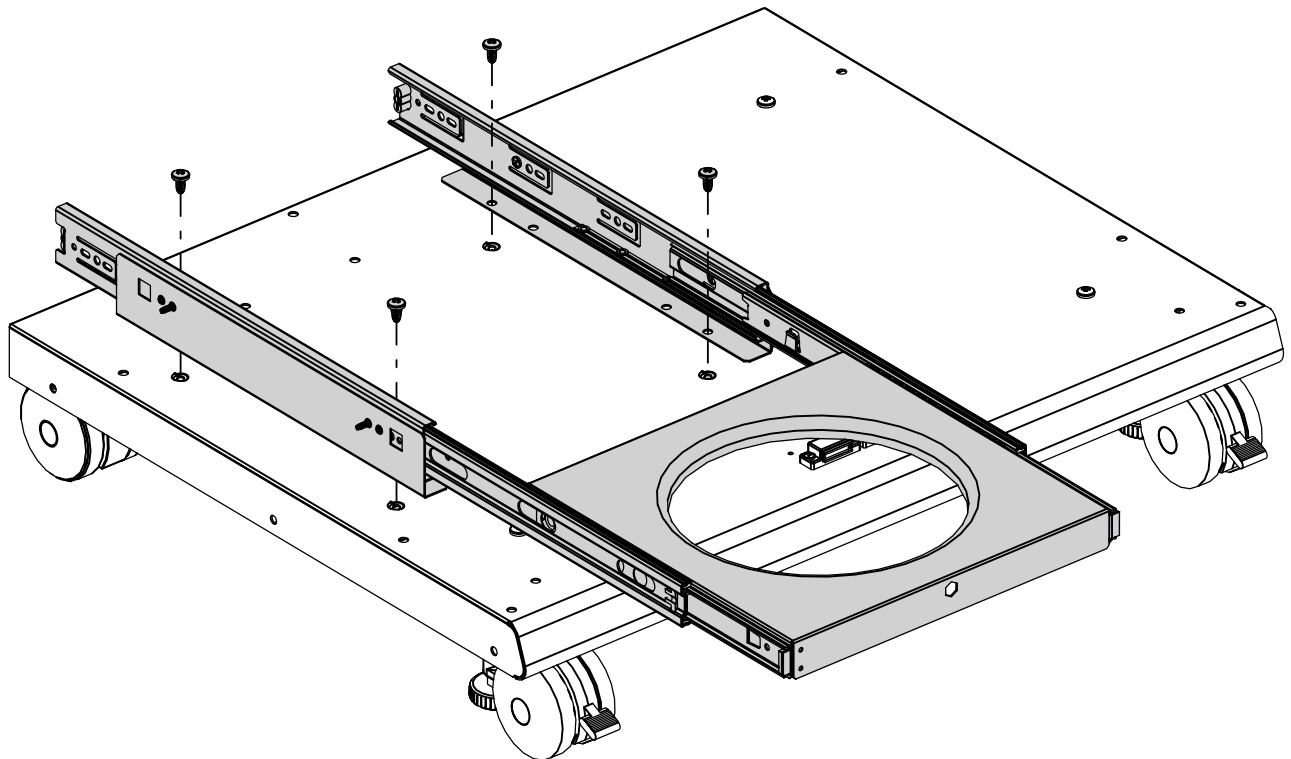
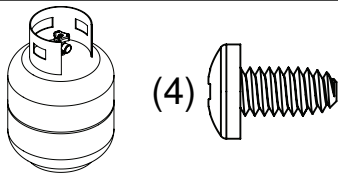
TOOLS REQUIRED / OUTILS NECESSAIRES / HERRAMIENTAS NECESARIAS



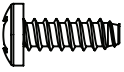
1

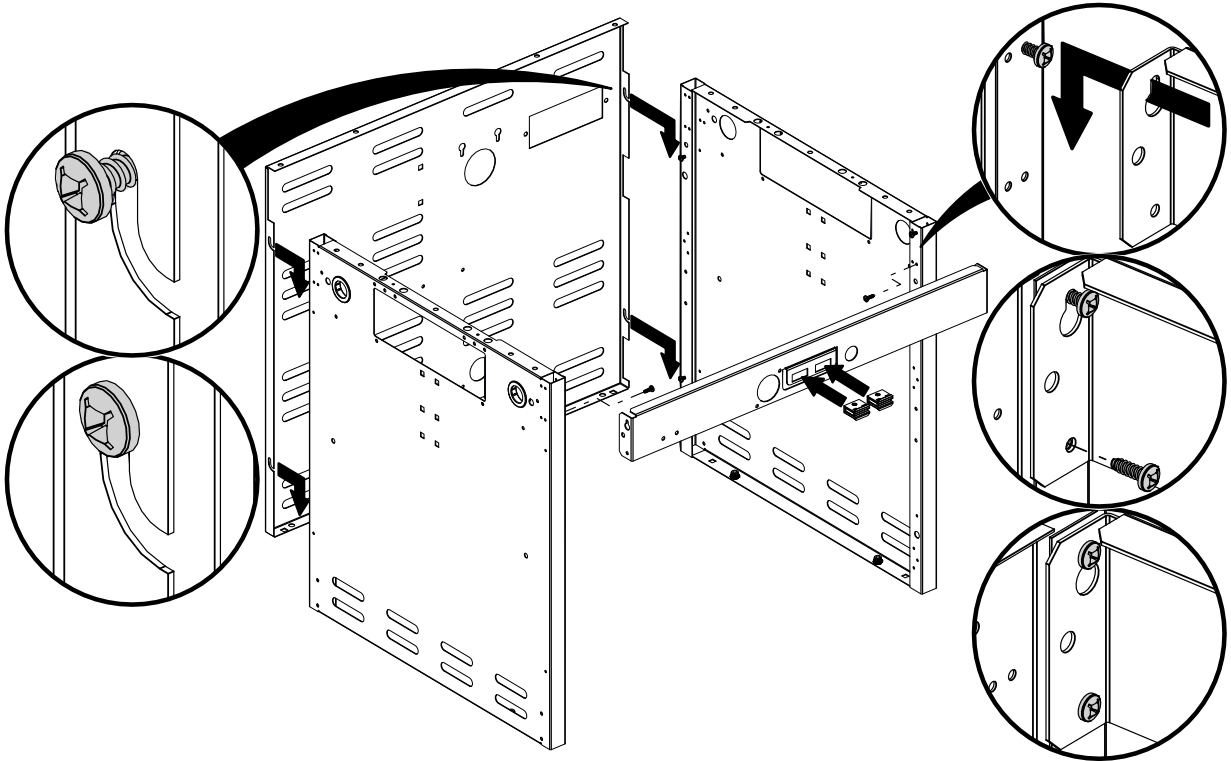
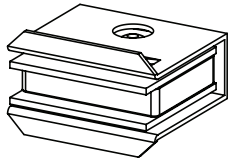


2



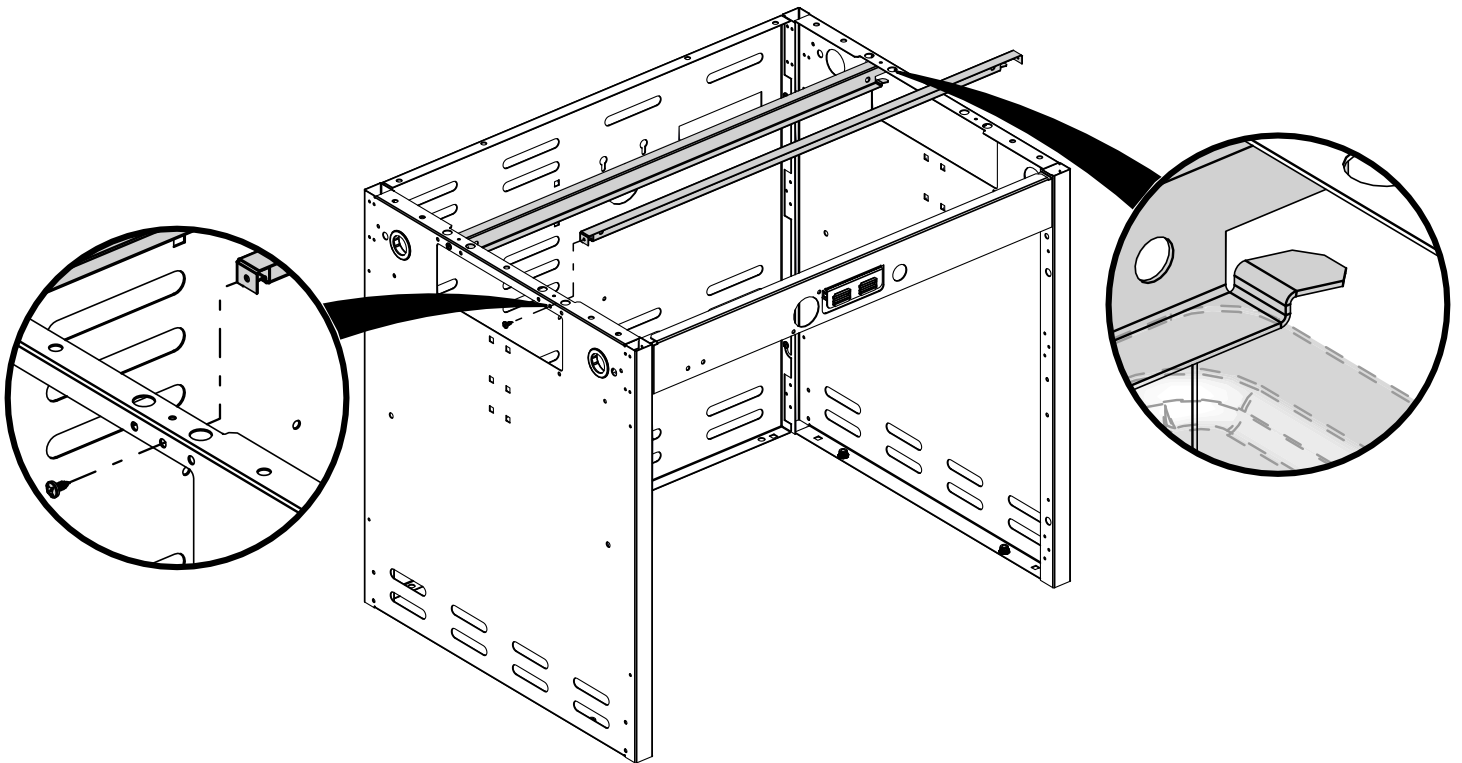
3

(2)  (2)

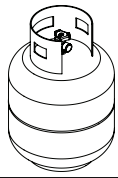


4

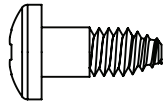
(4) 



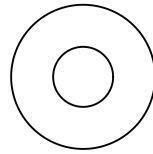
5



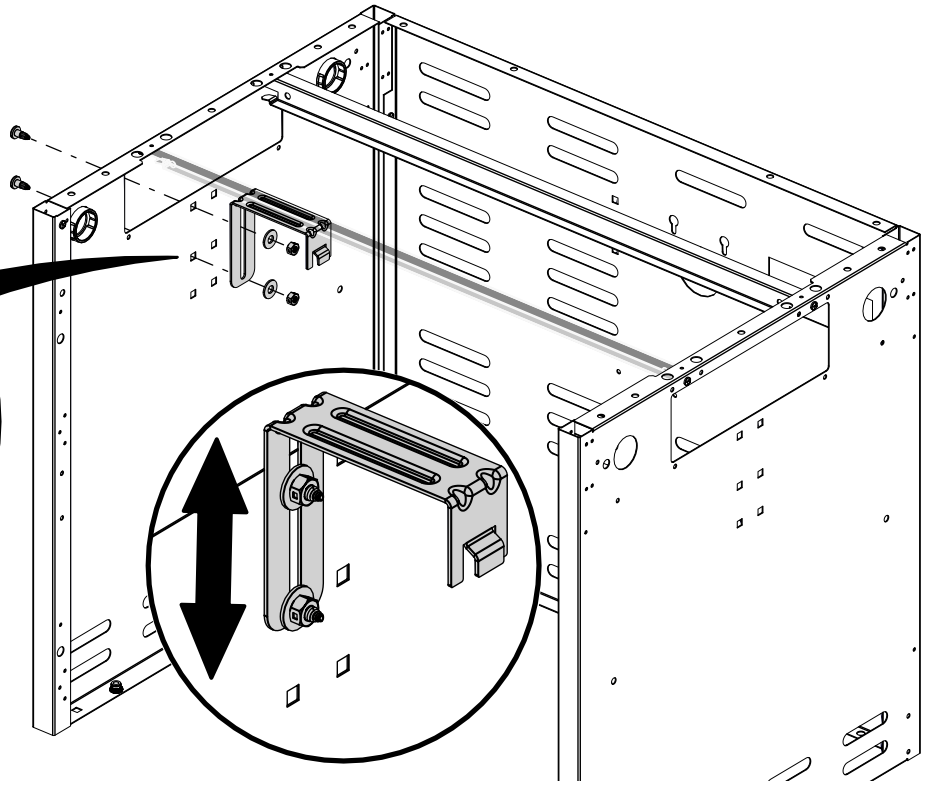
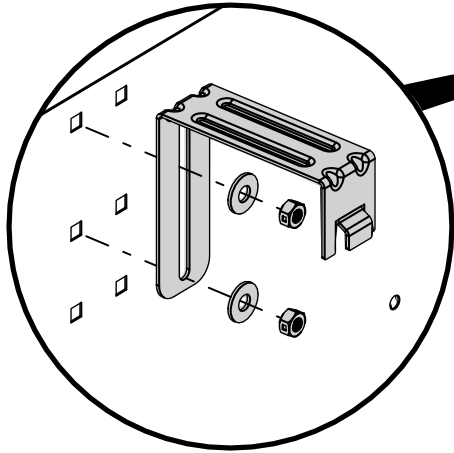
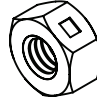
(2)



(2)

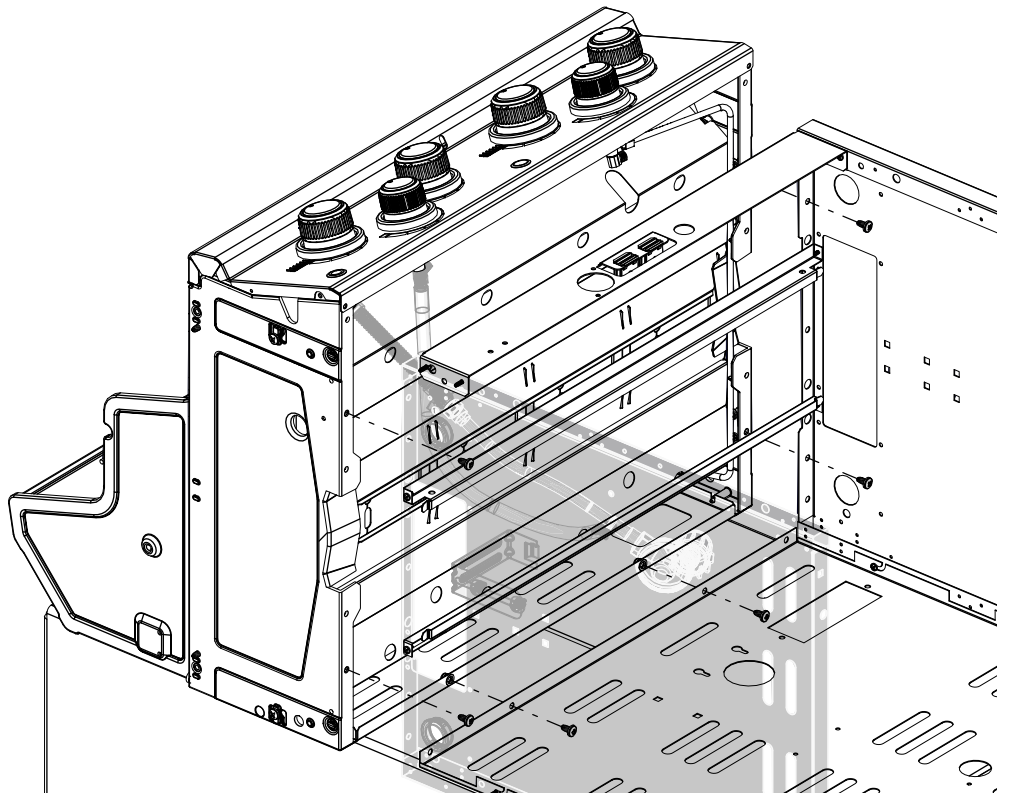
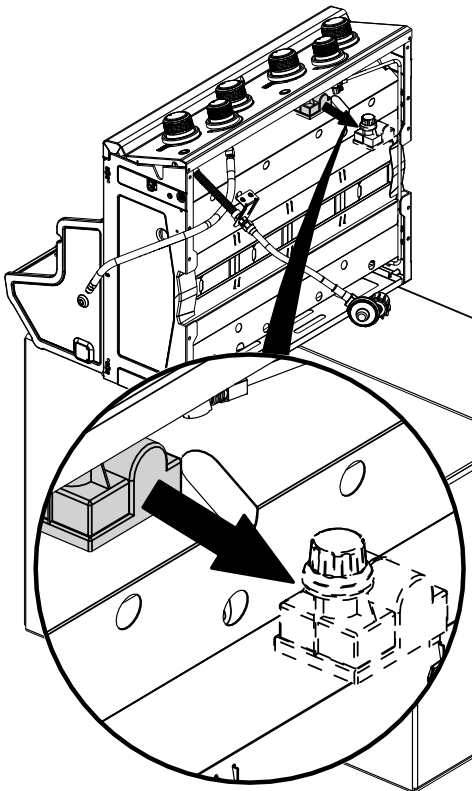
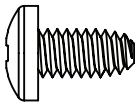


(2)

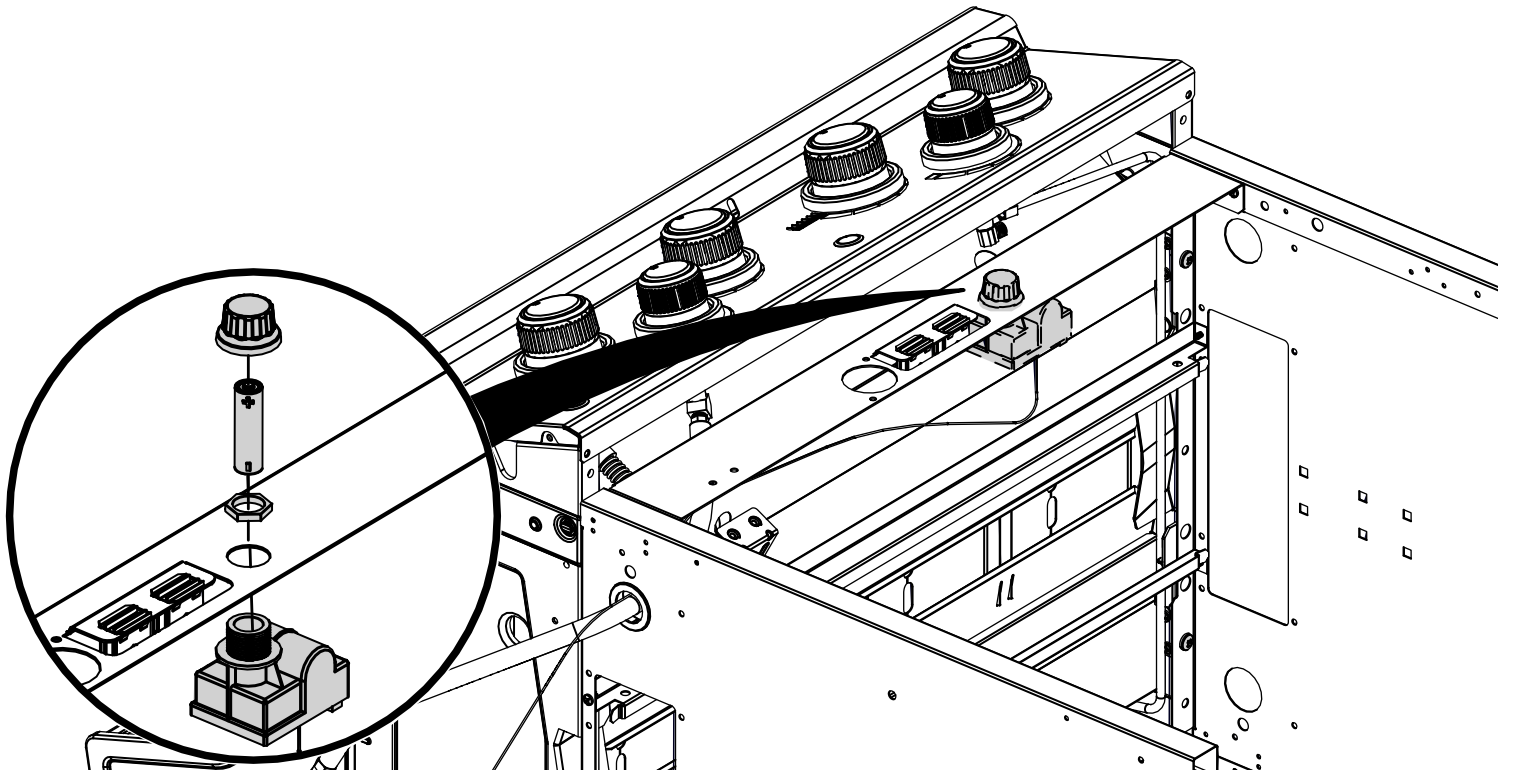


6


(6)

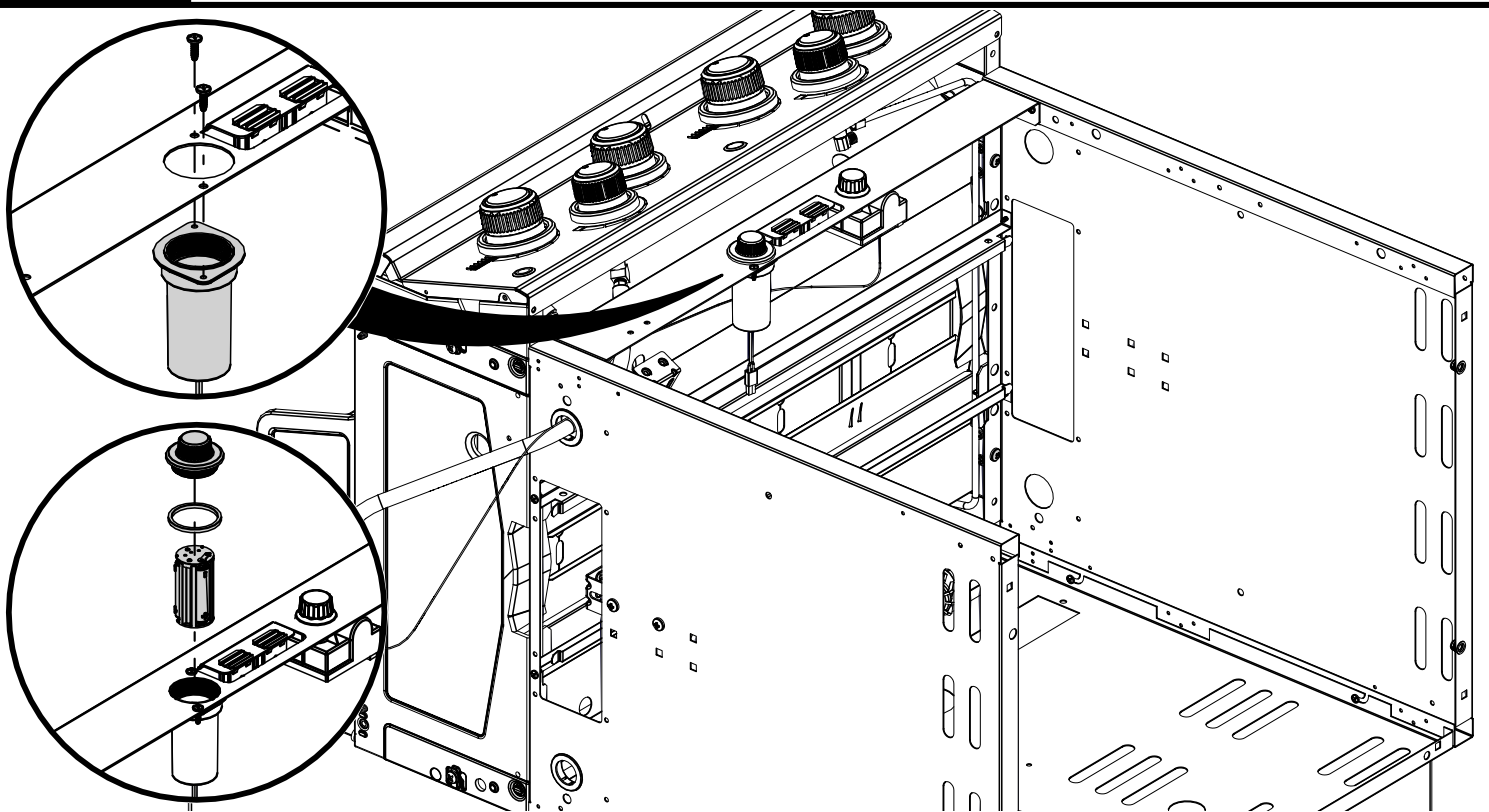


7

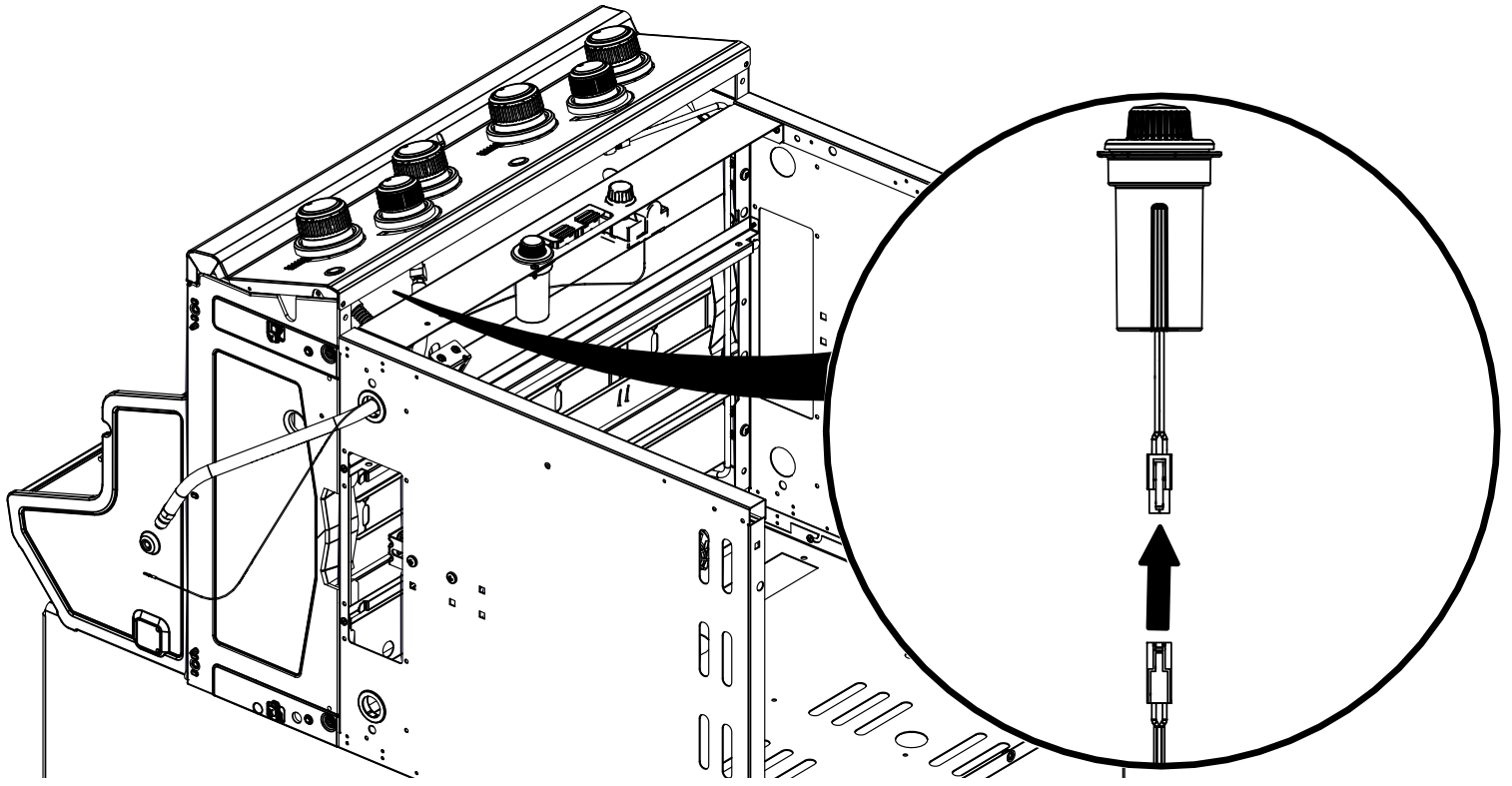


8

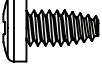
(2) 

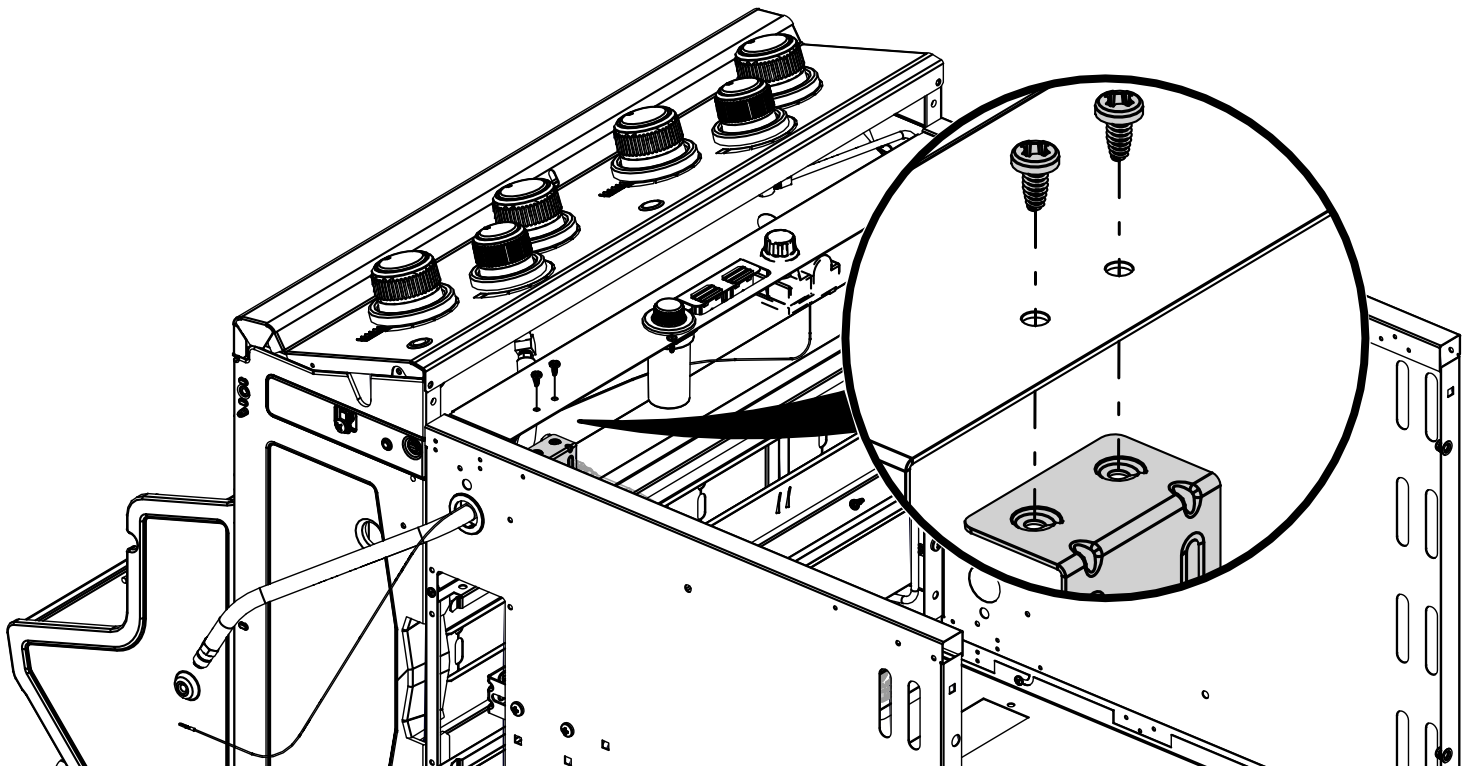


9

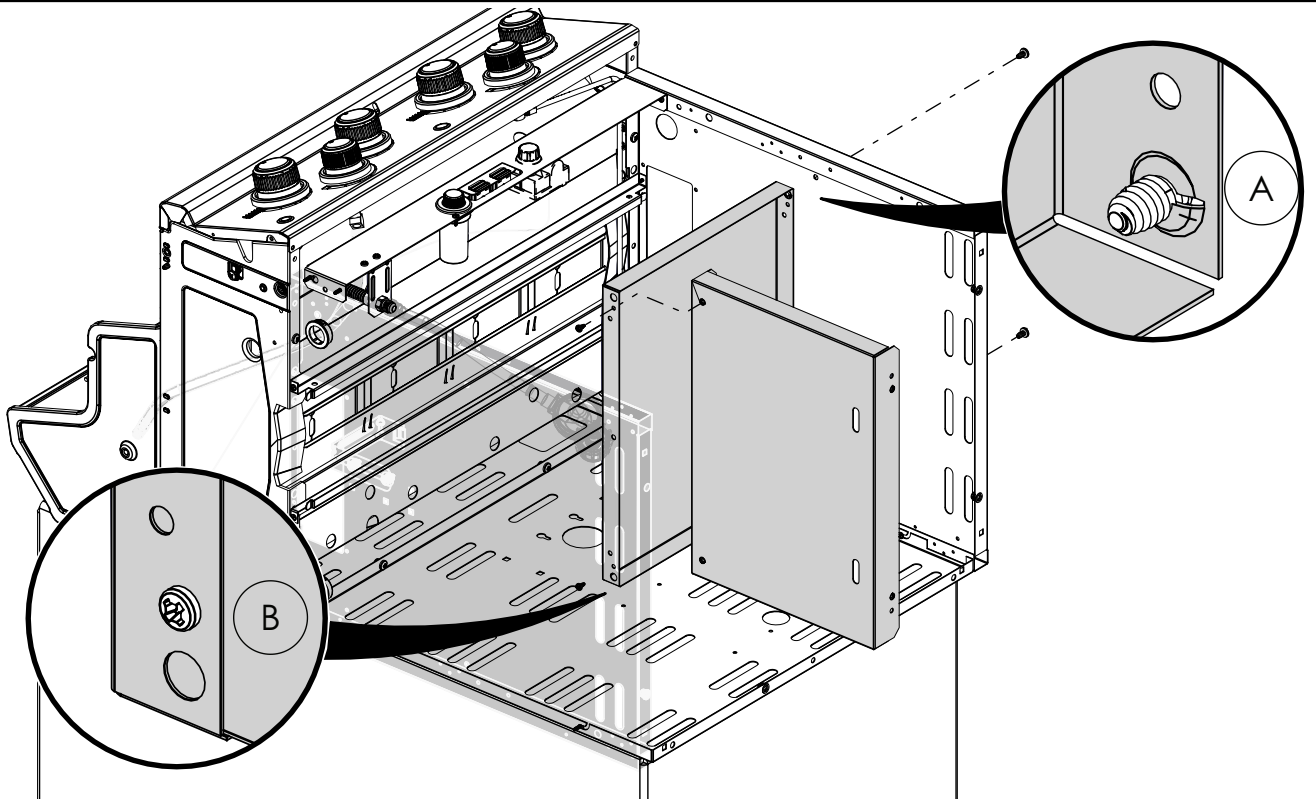
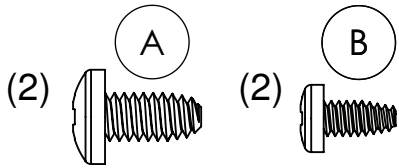


10

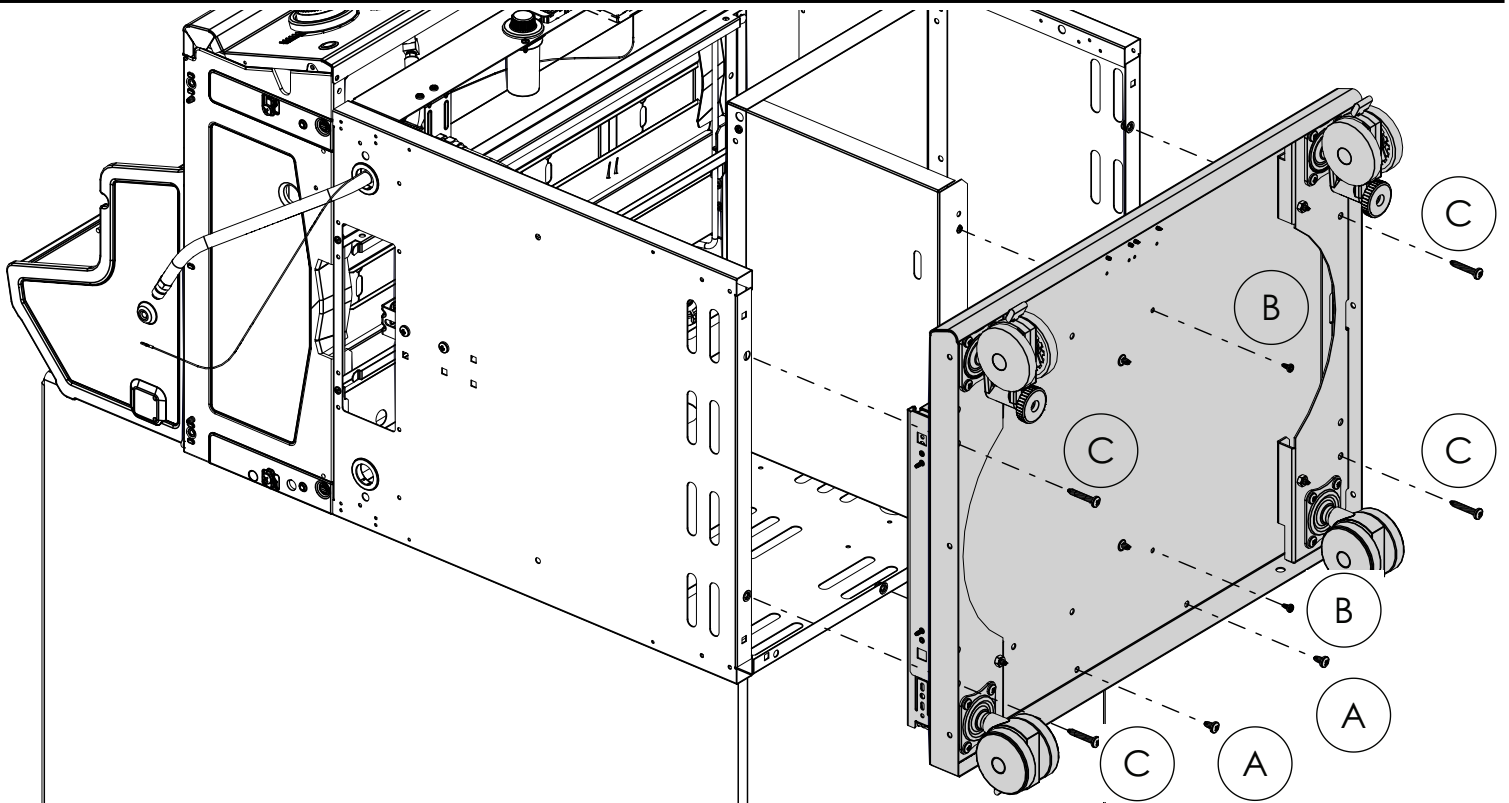
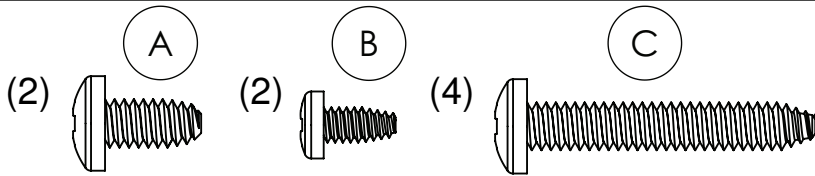
(2) 



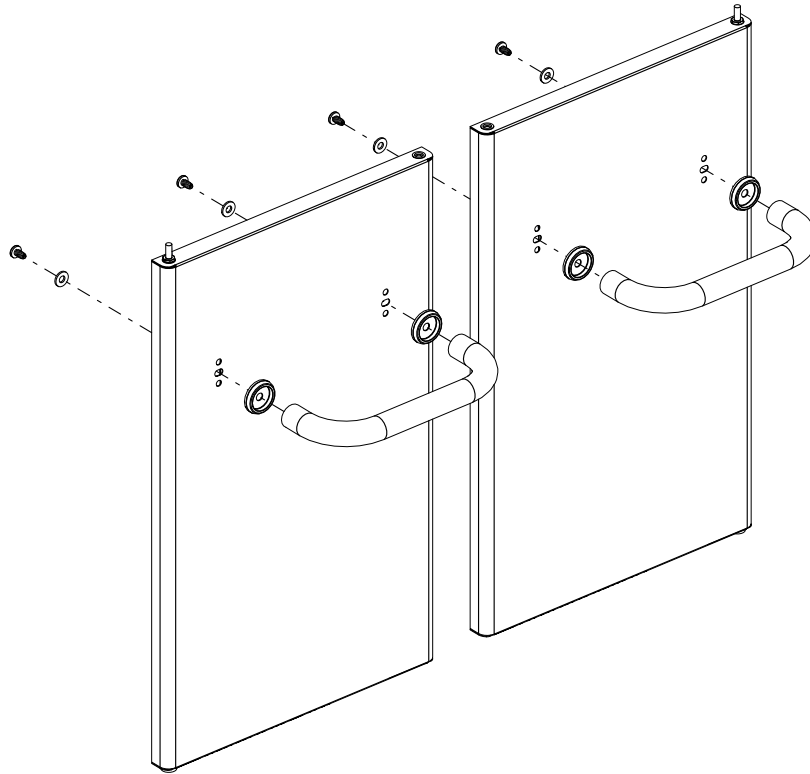
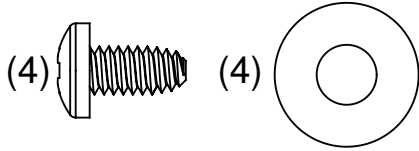
11



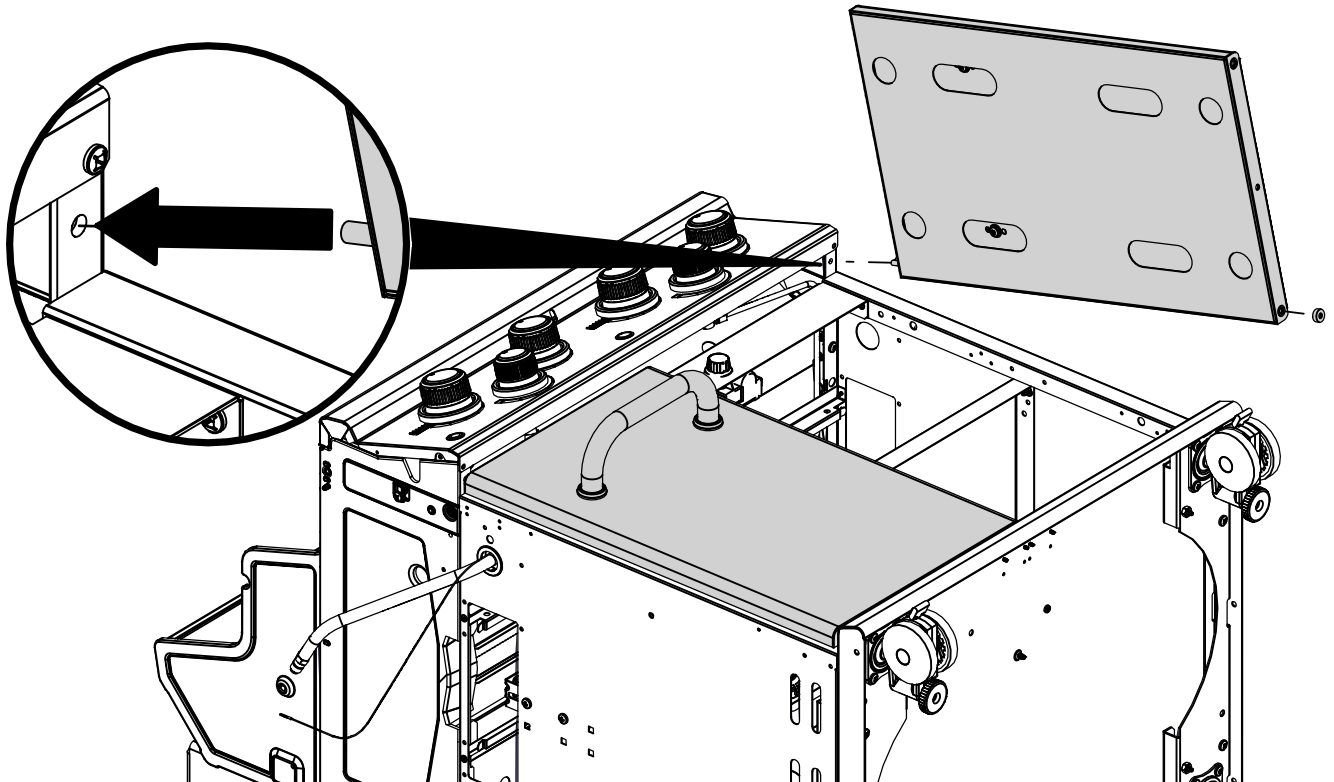
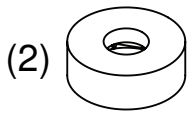
12



13

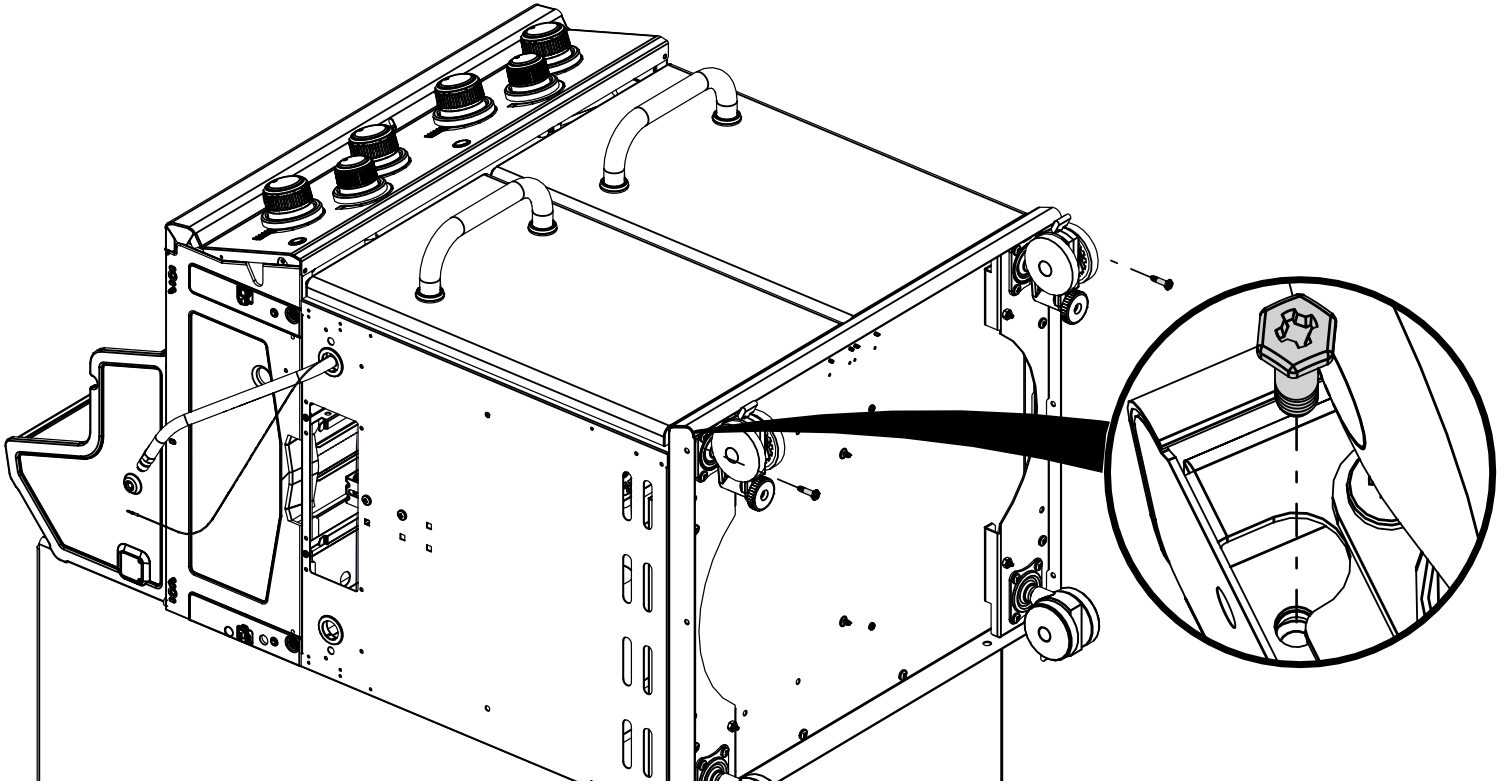
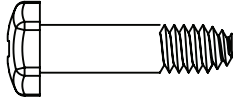


14

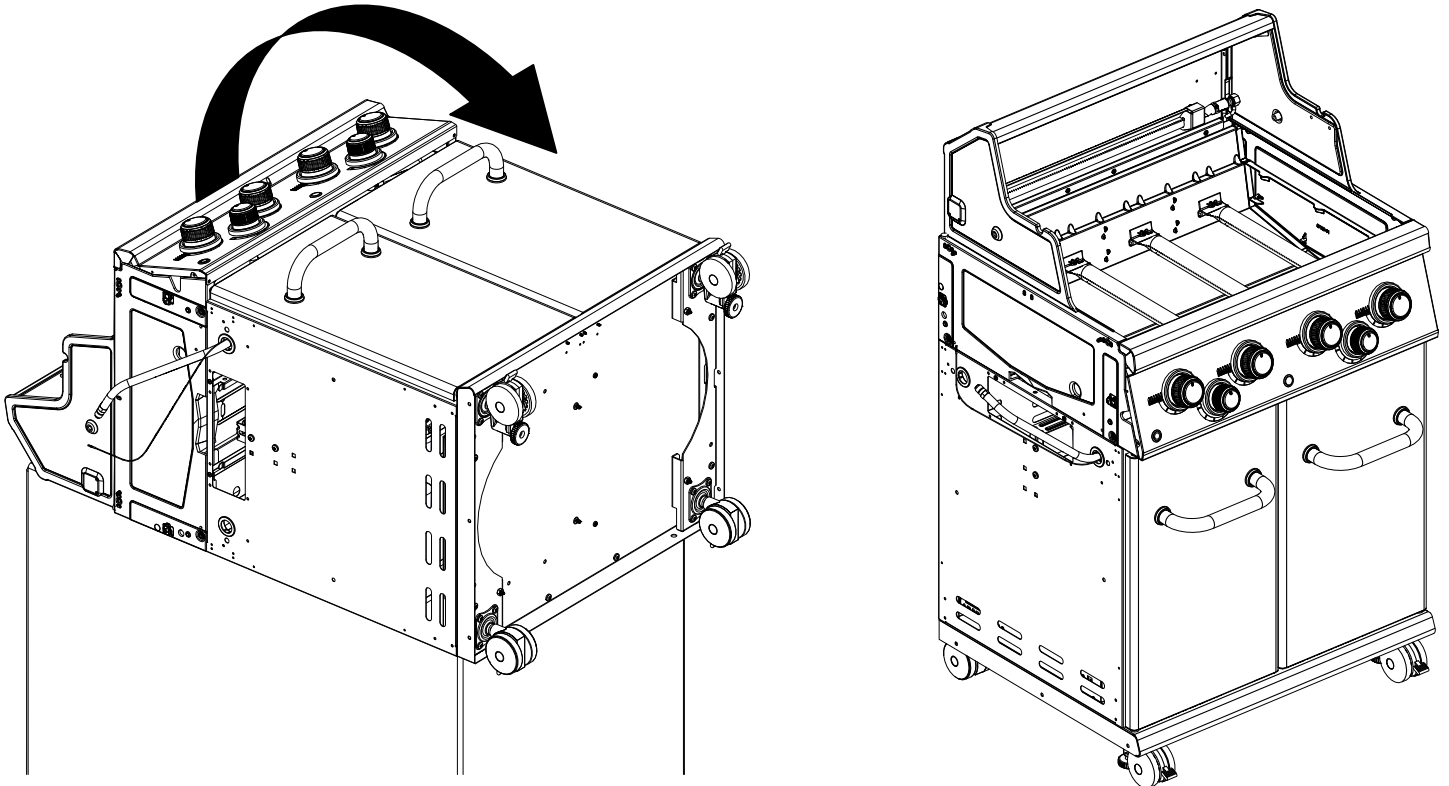


15

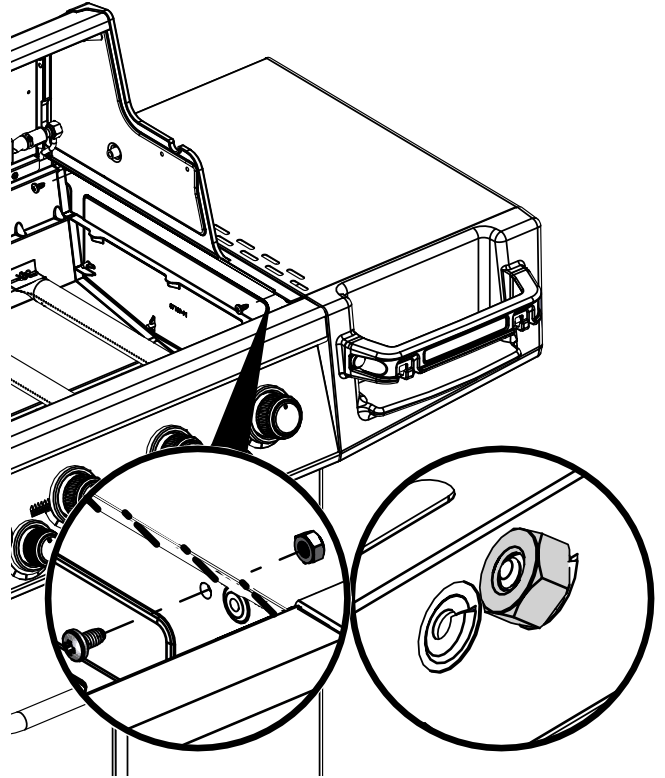
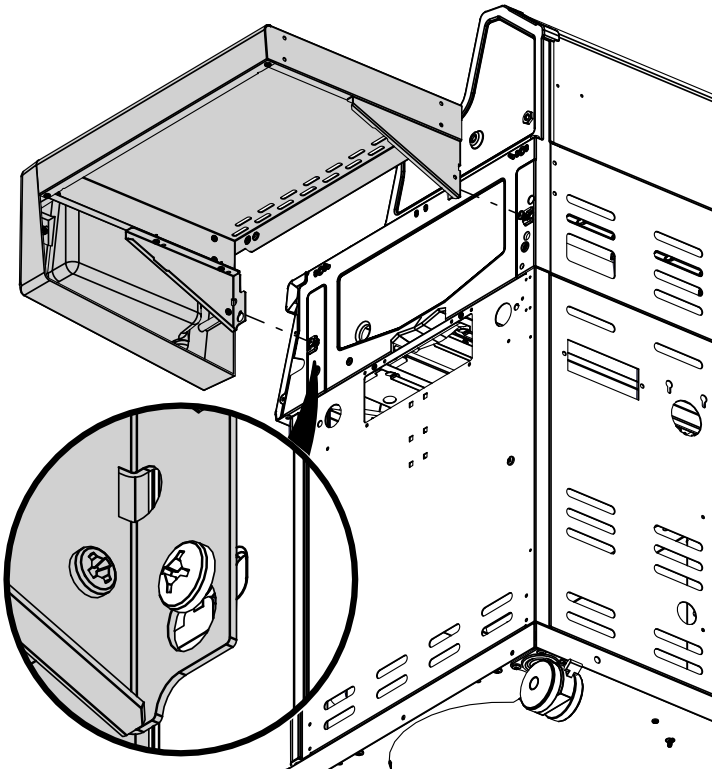
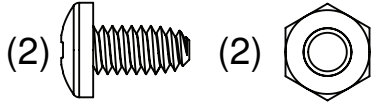
(2)



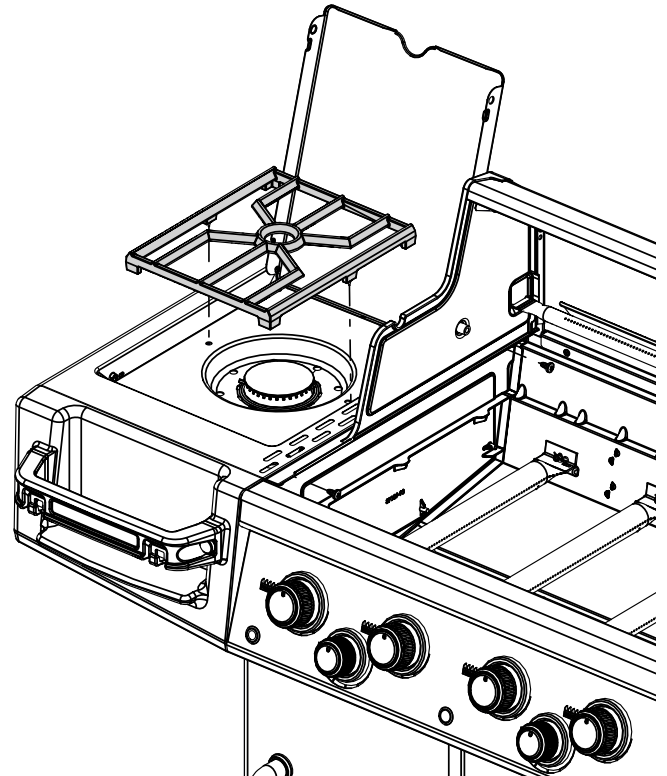
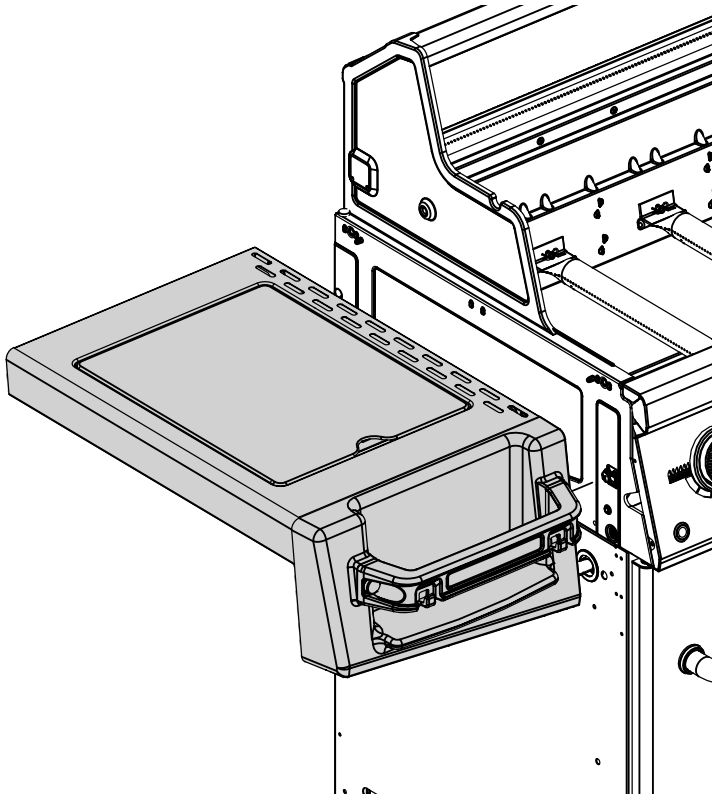
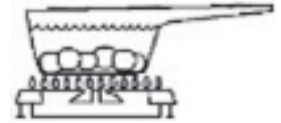
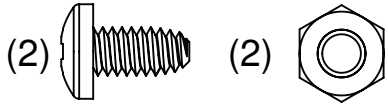
16



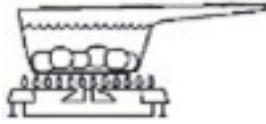
17



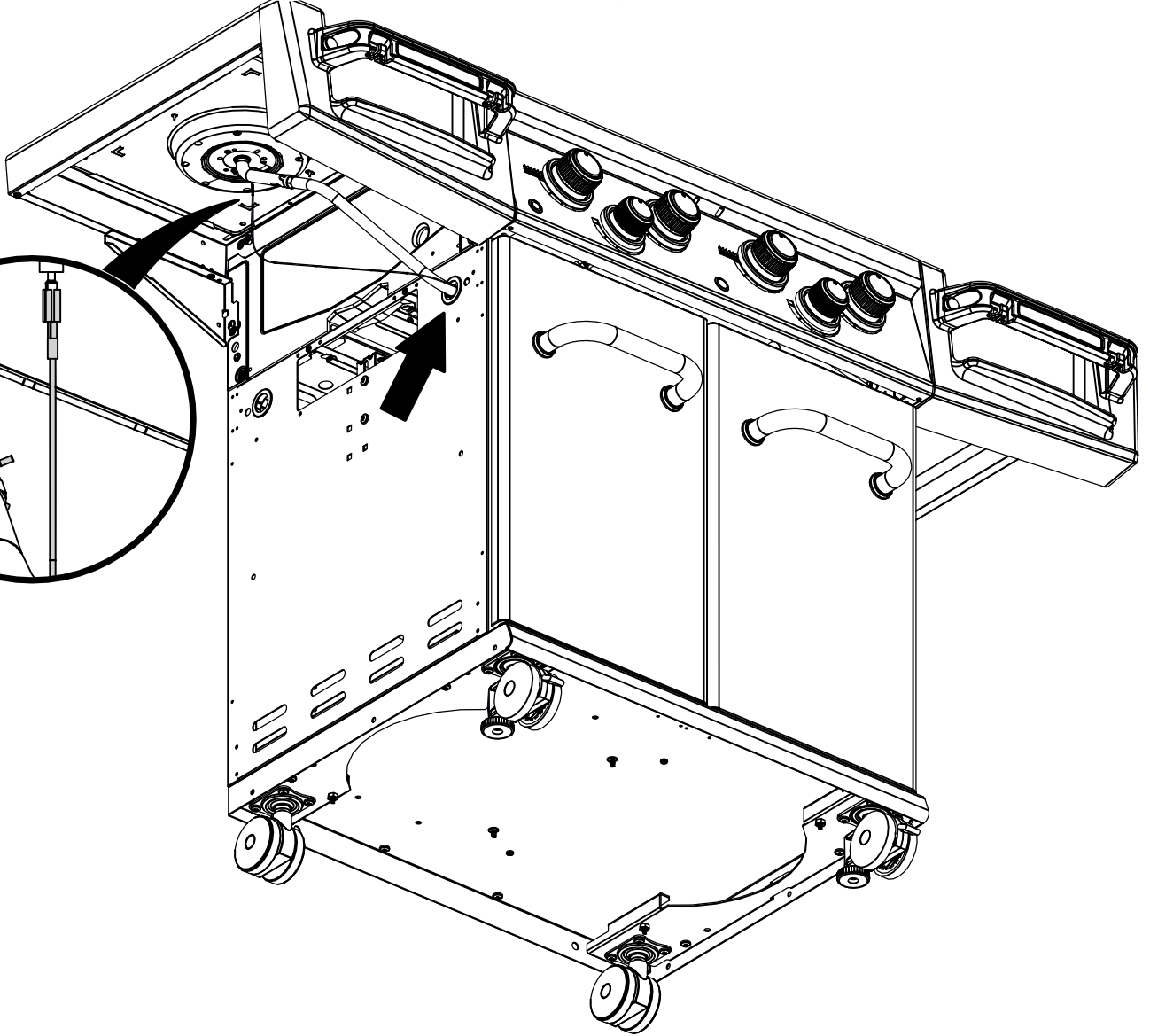
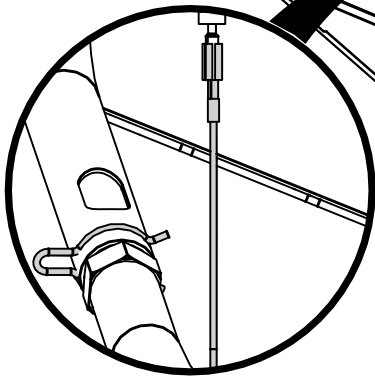
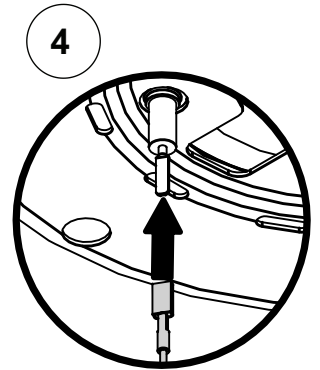
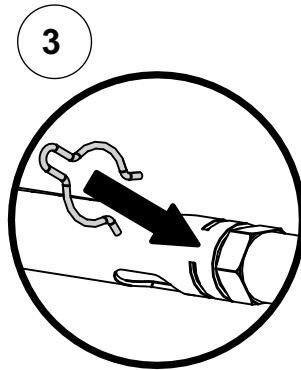
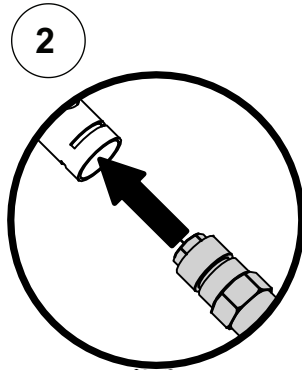
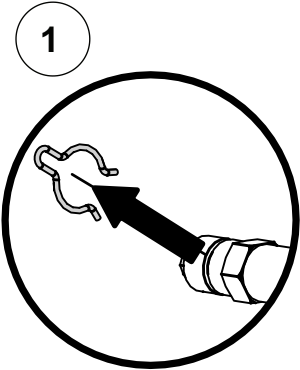
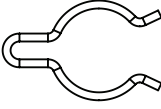
18

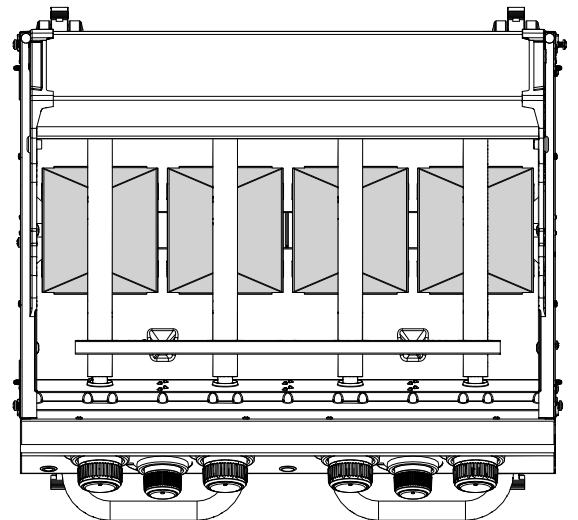
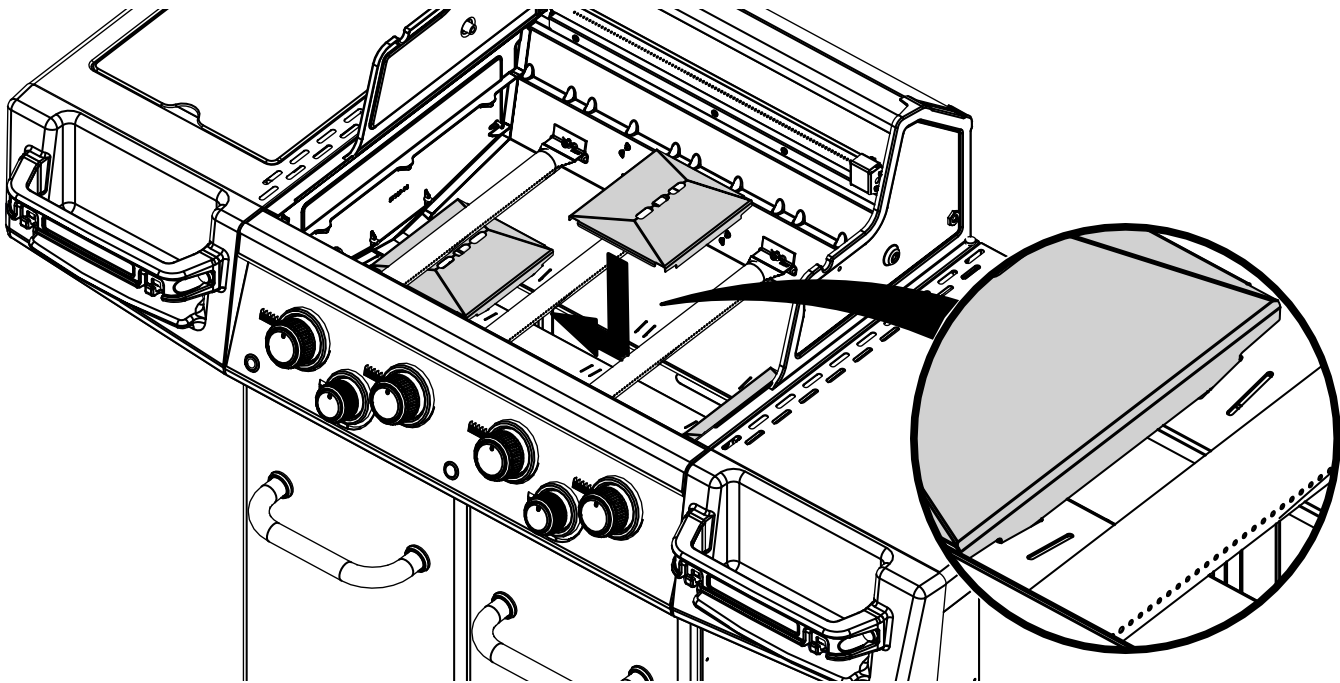
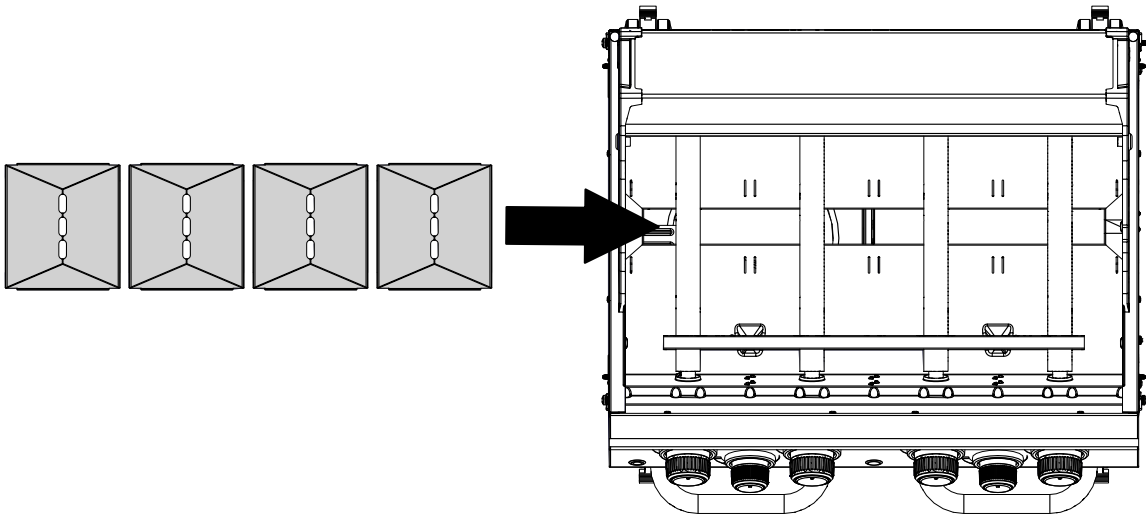


19

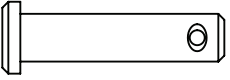
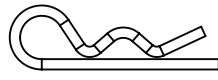


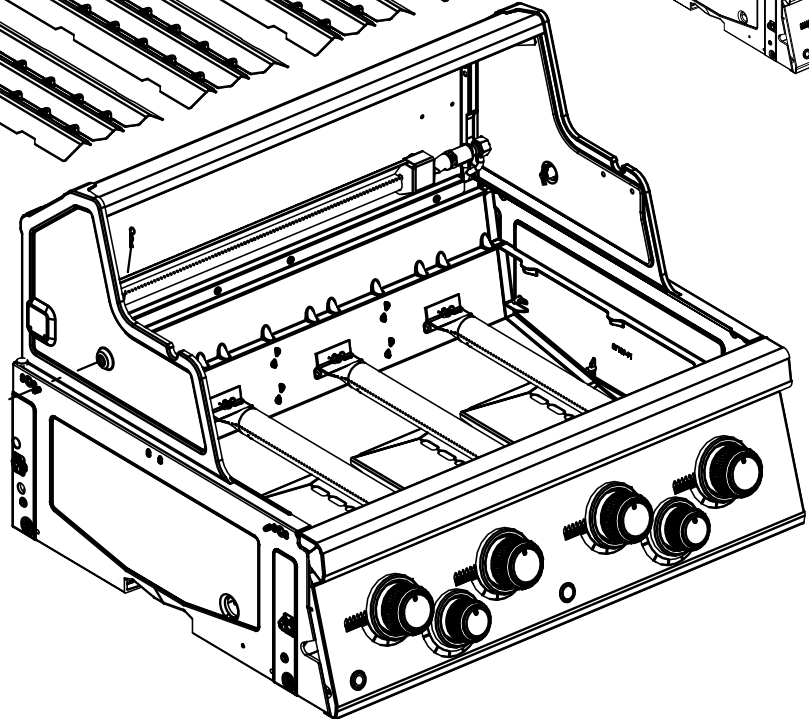
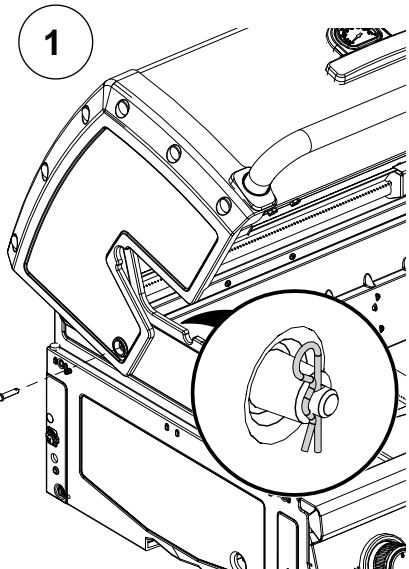
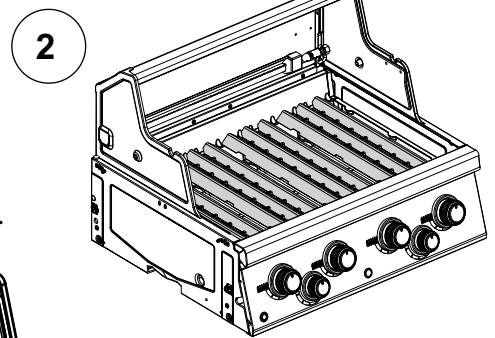
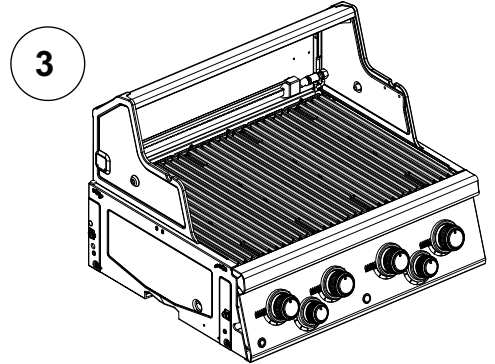
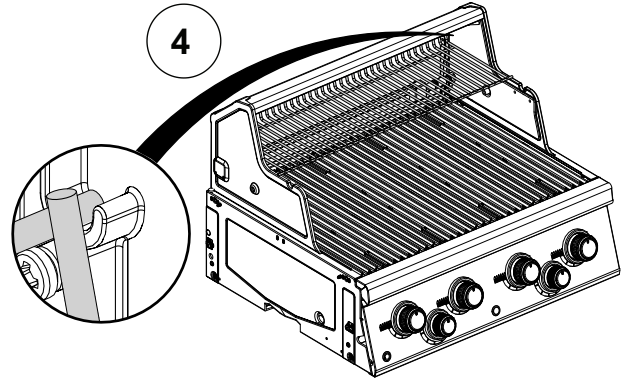
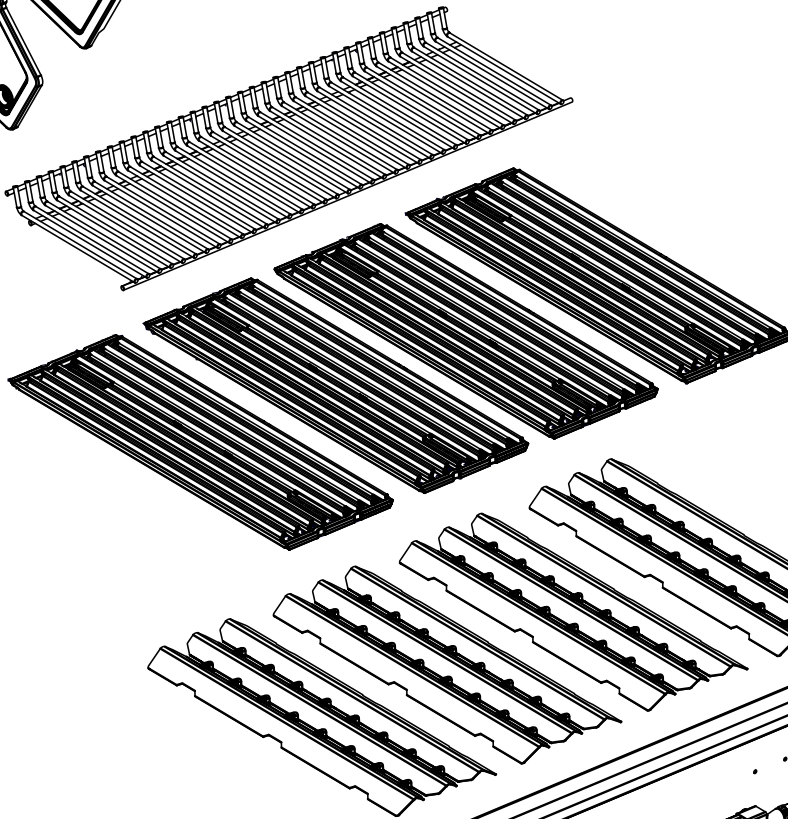
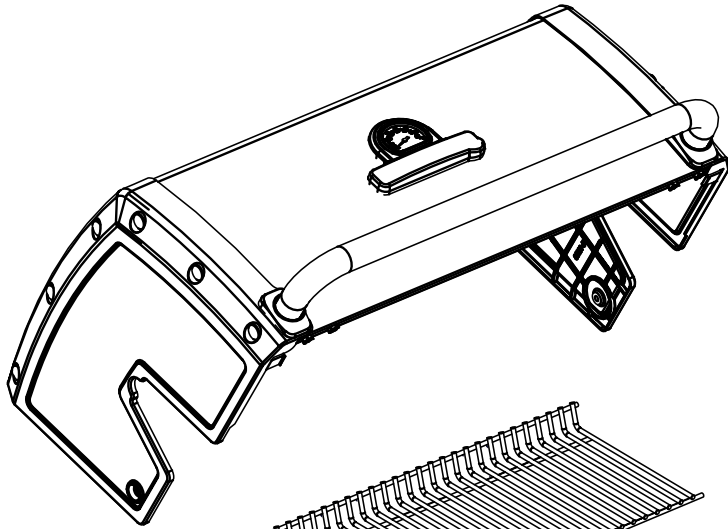
(1)



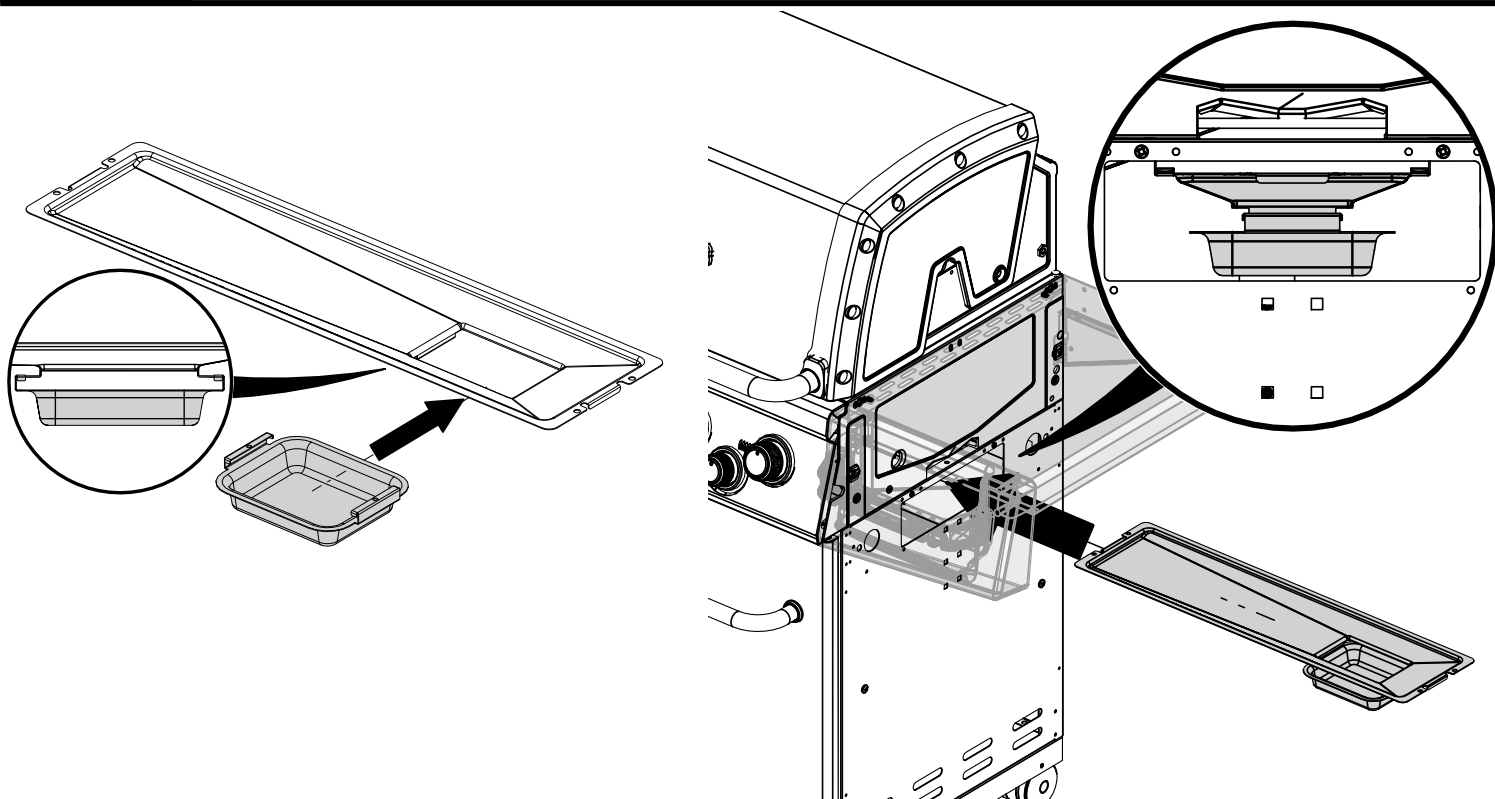


21

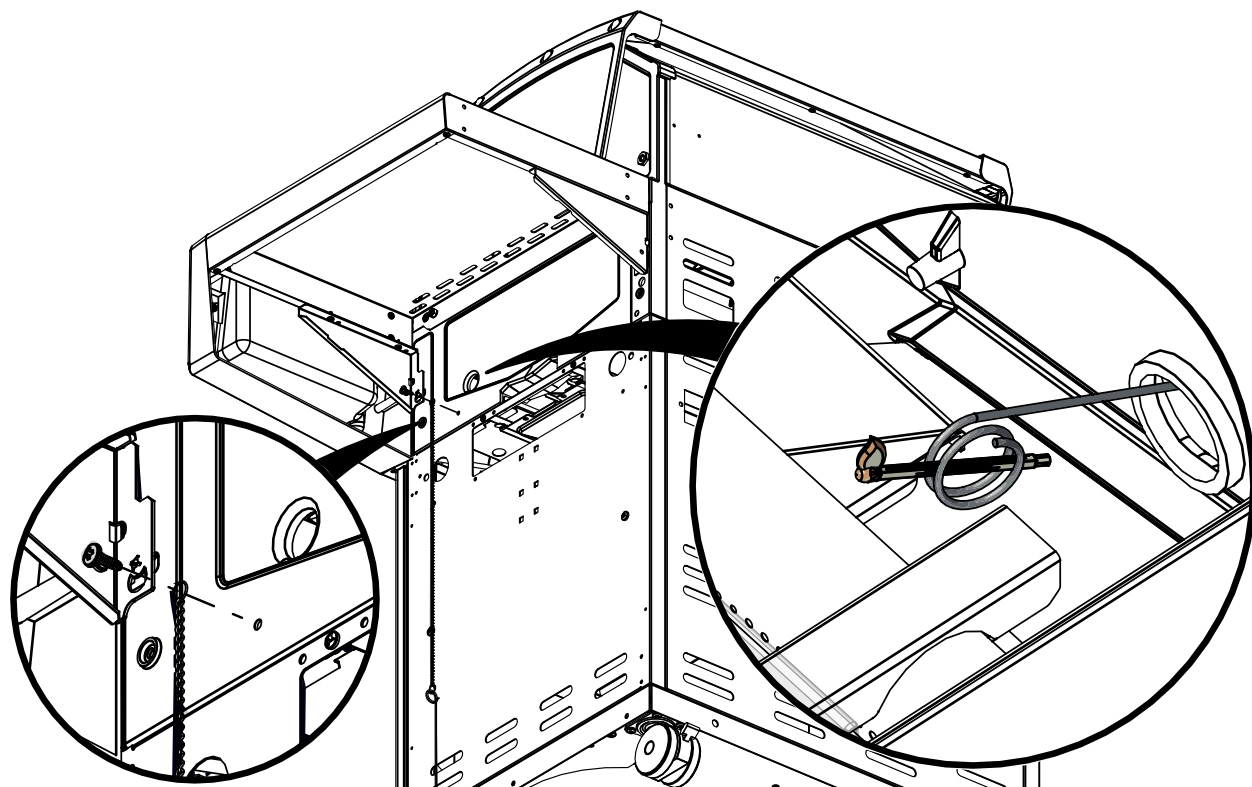
(2)  (2) 



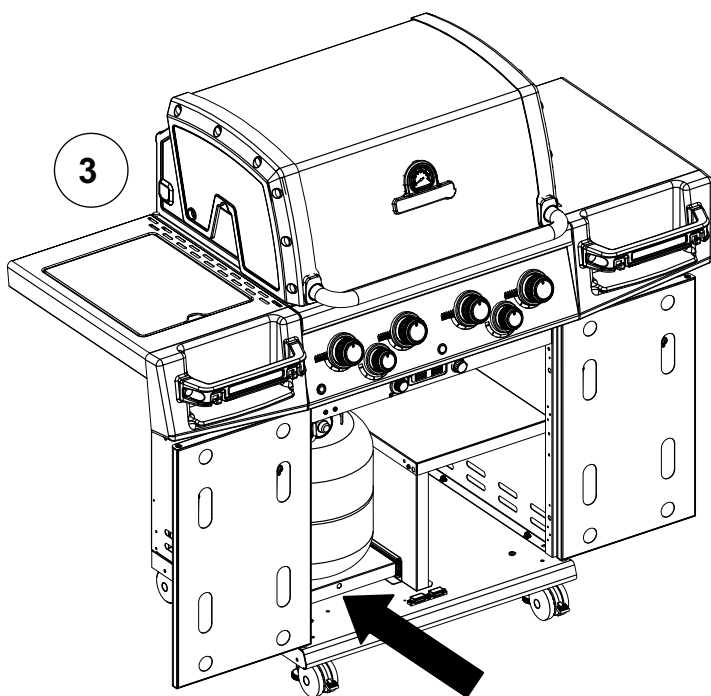
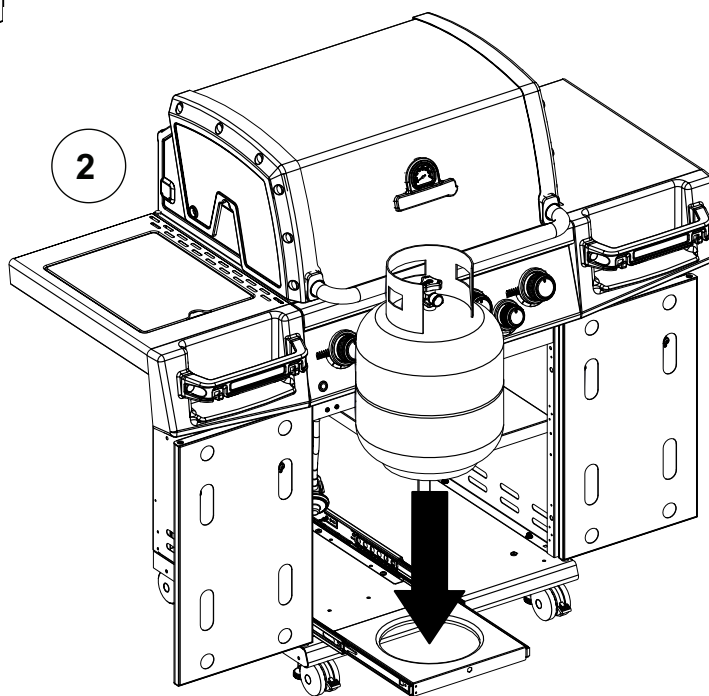
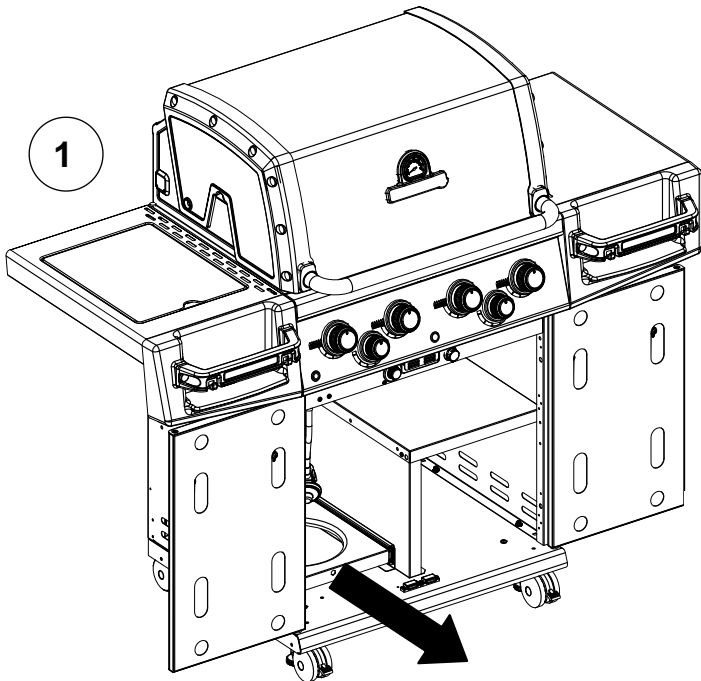
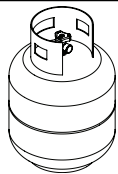
22



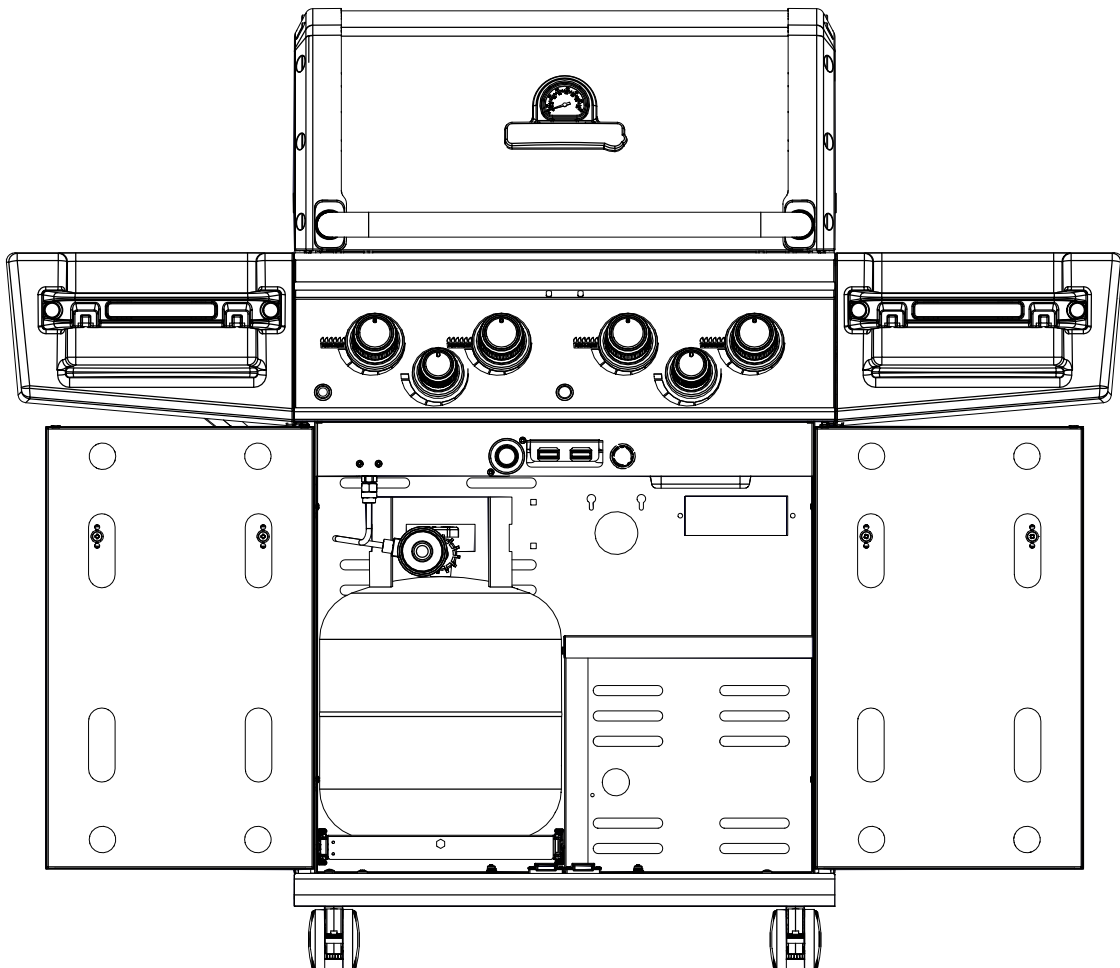
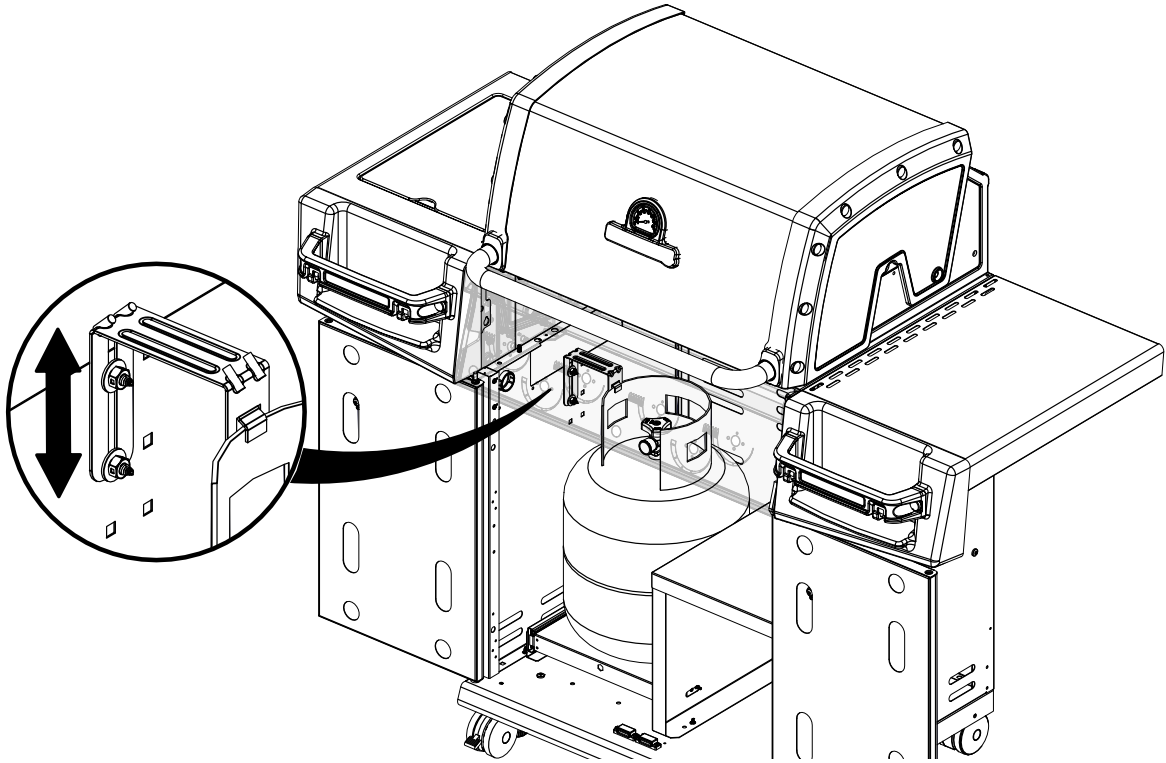
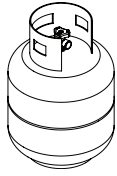
23

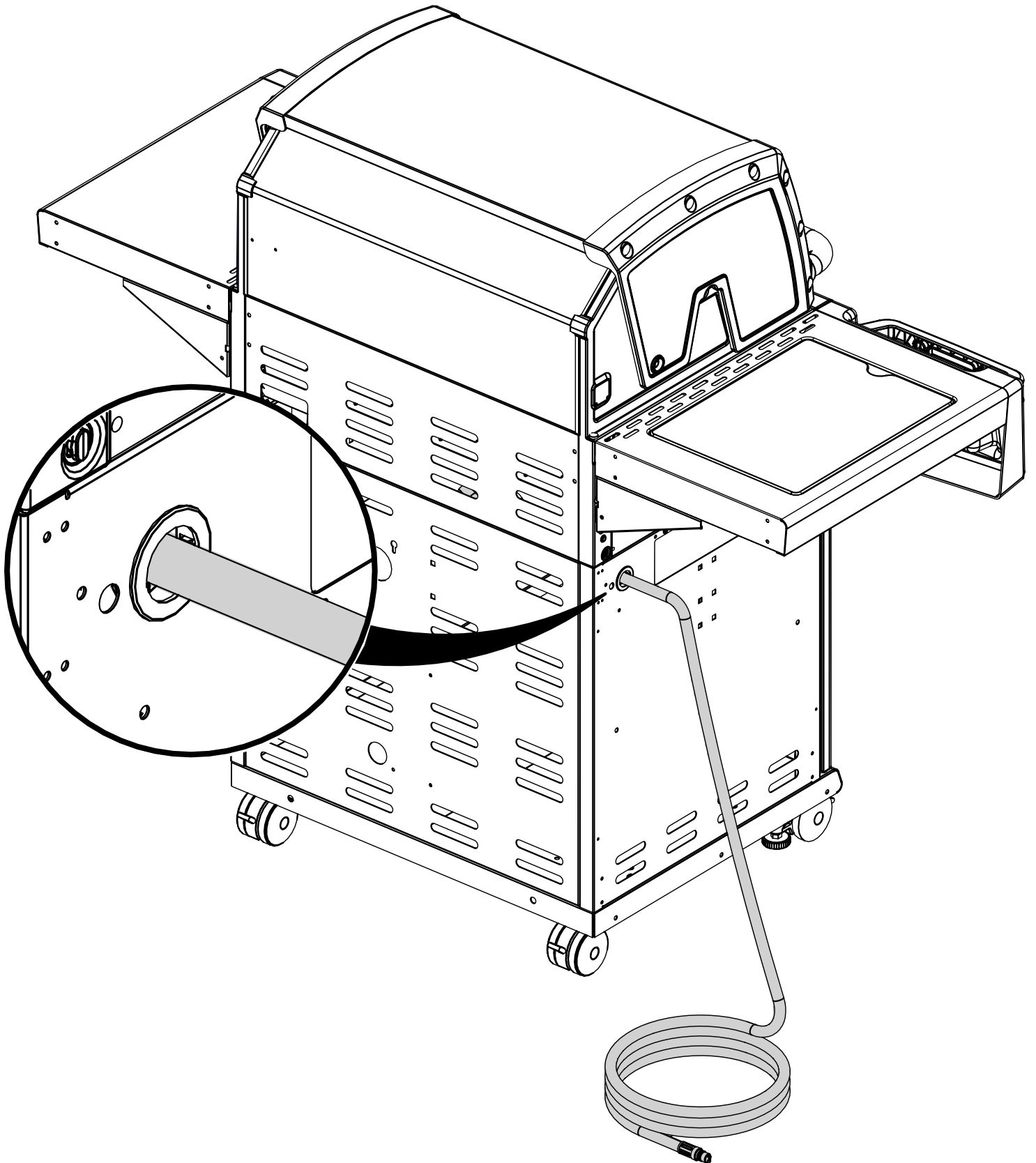


24



25





27

